

VingCard Flex Electronic Lock

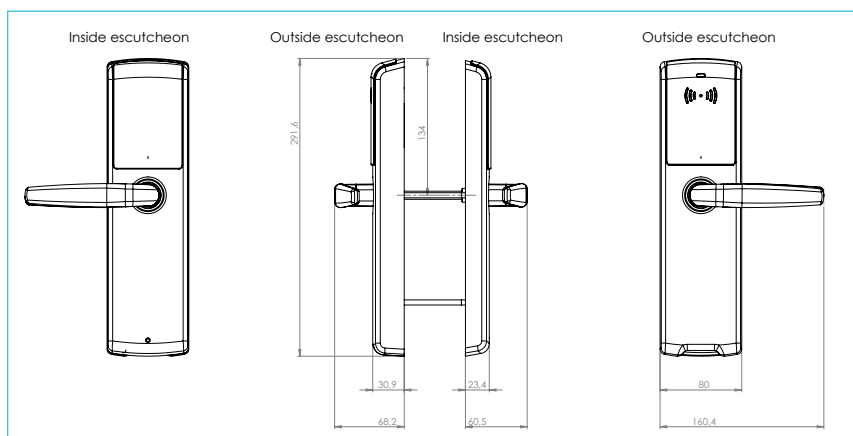
With VingCard Flex you are provided with a robust RFID lock that is specially developed for upgrading properties from Timelox S-series installations to the newest RFID lock hardware platform without drilling the door. VingCard Flex is fully compatible with the latest solutions for Mobile Access and RF online communication.



FEATURES

- : Supports the latest RFID technology
- : Supports Mobile Access
- : Online compatible
- : Easy upgrade from Timelox S-serie without drilling
- : Compatible with a selection of tubular latches
- : Fire listed for use on fire doors (UL, EN)
- : Flip-up (raise inside handle in upright position) for activating deadbolt
- : Panic release function – the deadbolt and latch are automatically retracted by inside handle for easy regress in emergency situations
- : Stainless steel parts for mechanical strength, corrosion resistance and nice appearance
- : Optional high security mechanical override cylinder.

DIMENSIONS



ASSA ABLOY

ASSA ABLOY Hospitality

The global leader in
door opening solutions

TECHNICAL DATA

Power	4,5 V DC (3 x AA alkaline batteries)
Battery location	Outside of the room (can be inside as option)
Material	Escutcheons and handles: Stainless steel, quality SUS304 Plastic covers: Polycarbonate
Metal finishes	Satin Chrome (Stainless steel), Satin Brass (Stainless steel with PVD)
Standard plastic color	Black RAL 9005
Handle options in standard range	Straight and Return (special handle with extra return that is ½ inch from the door)
Emergency opening options	Electronic emergency opening with service unit and optional mechanical cylinder inside the escutcheon with access from the bottom
User interface	3 colored LED display (green, red, yellow)
Locking mechanism	Electro-mechanical locking mech inside the escutcheon
Door thickness	30 - 100 mm / 1,18 - 3,94 Inches
System Software compatibility	Visionline
Online compatibility	Wireless (based on ZigBee protocol) in Visionline
Storage temperature	0-70 °C / 32-158 °F: non-condensing environment
Tested operating temperature	Tested from -25 °C to 70 °C (-13 °F to 158 °F), according to IEC 60068-2.
Certifications	With DIN Lock case: B30/EI30 fire approval according to EN1642-1. UL45 min with Timelox E9050 lock case
Compatible lock cases	In general, all lock cases used on old Timelox S-series: - Timelox DIN - ASSA 524 - E9050 (ANSI) - E9025 (EURO)
Compatible tubular latches	<u>Lockwood 530 series:</u> available in 60mm, 70mm and 127mm backset 60mm Backset, SC 530-12SC 93-11847-46374-5 70mm Backset, SC 530-222SC 93-11847-46477-3 127mm Backset, SC 530-225SC 93-11847-46315-8 <u>Yale 280N, 280RN and 280DN</u>

