



Classic Combo and Auto Deadbolt Upgrade Kits

Cost effective **Combo** and **Auto Deadbolt** upgrade options for older VC1090/1090e and Classic locks





Realize the true power of your installed VingCard locks!

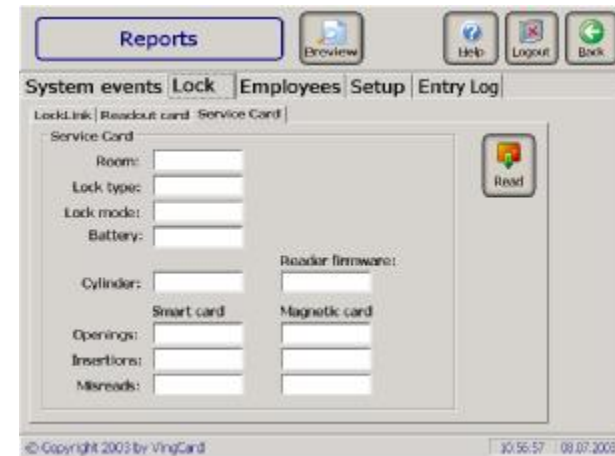
- Re-use the durable HW elements of your old VingCard locks
- Enhance security & operations with dual reader technology
- Increase security with VingCard's unique Auto Deadbolt solution
- Minimize service & maintenance cost of your old system





Smart card features

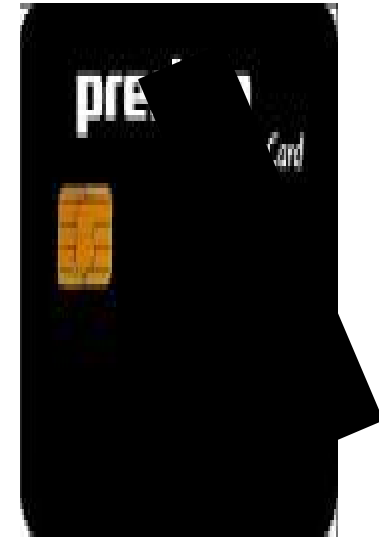
- Ø Audit trail on smart cards
 - Security & Productivity tracking
- Ø Diagnostic card
 - Easy read outs for lock maintainance
- Ø Read-out cards
 - Easy reading of audit trails without the locklink
- Ø Full auto daylight saving time adjustment
 - No need to re-programme locks anytime during the year





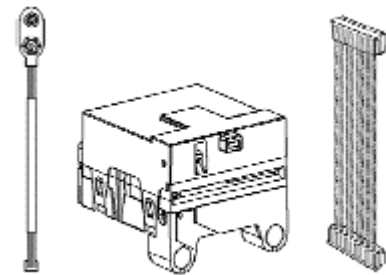
Smart Card features cont.

- Ø Auto card cancellation
 - A card will self cancel after a pre-defined number of unsuccessful events
- Ø Increased card security (*CPU cards only*)
 - Extra card protection to prevent card cloning
- Ø Enhanced suite solutions
 - Any 5 rooms may be assigned to a guest card
- Ø Cylinder tamper alarm (for locks with cylinder)
 - LED will blink red after cylinder opening until valid smart card is inserted



Classic (RM/CM) combo upgrade kit

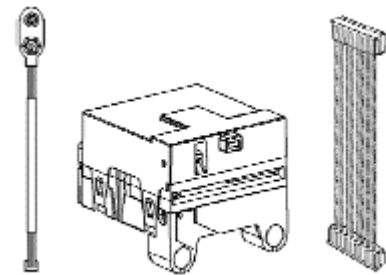
- Ø Simply exchange the reader
- Ø Ready packaged Combo LCU-kit for easy upgrades





Classic (old LCU) combo upgrade kit (available from Dec. 03)

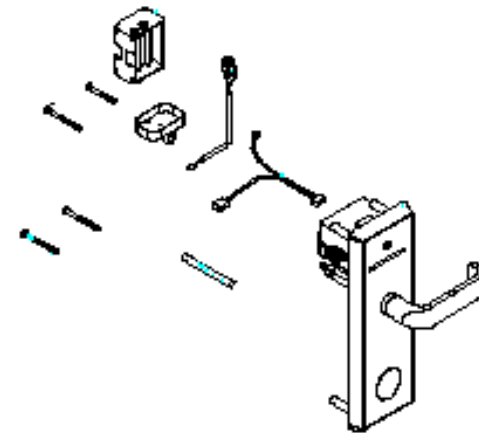
- Ø Simply exchange the reader. Special converter cable required for the old lockcases
- Ø Ready packaged Combo LCU-kit for easy upgrades





VC1090/1090e (type 3 – latest version) combo upgrade kit

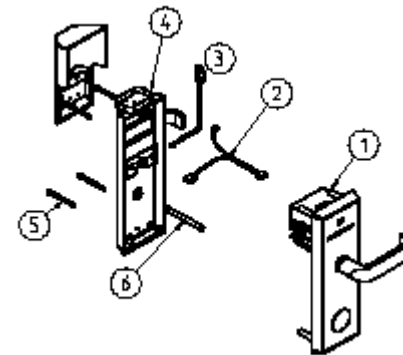
- Ø Keep lockcase & inner escutcheon. New outer escutcheon w/combo LCU
- Ø Ready packaged Combo LCU-kit with all required components





VC1090/1090e (type 2 /earliest version) combo upgrade kit

- Ø Keep lockcase. New inner & outer escutcheon w/combo LCU
- Ø Ready packaged Combo LCU-kit with all required components



Required Front Desk Package

- Ø Vision 4.0 SW (or newer)
- Ø Selection of mag and smart card encoders
- Ø PPC-locklink w/contact card
- Ø 50% off standard Vision SW pricing with combo upgrades
- Ø 2100 PLUS compatible for magstripe only operations





Increased security through Auto Deadbolt

- Ø Door is always double locked with a solid deadbolt irrespectively of whether the guest is in the room





Auto Deadbolt Upgrade kits

- Ø Kits available for Classic, **presidio** and *DAVINCI* locks (ANSI only. EURO versions available from Dec. 03)
- Ø Fits straight into an existing installation/mortise. Strike must be exchanged
- Ø Ready packed kits with lockcase/strike





VC's unique Auto Deadbolt Features

- Ø Latch and deadbolt lock the door independently from each other
 - *(i.e. If the auto deadbolt is not released, the latch-bolt should still secure the door and vice versa)*
- Ø The guest is able to mechanically secure the deadbolt into position with a thumbturn.
 - *(i.e. if the deadbolt for some reason has not fully released, the guest will through familiar privacy activation secure the deadbolt)*
- Ø The deadbolt will not release before the door is in the frame preventing the door from shutting properly
 - *(i.e. the deadbolt must have a mechanism securing the deadbolt from early release following rapid handle/door movements)*
- Ø Cylinder compatibility
 - *(i.e. Auto deadbolt functionality should not remove ability to offer cylinder options)*

