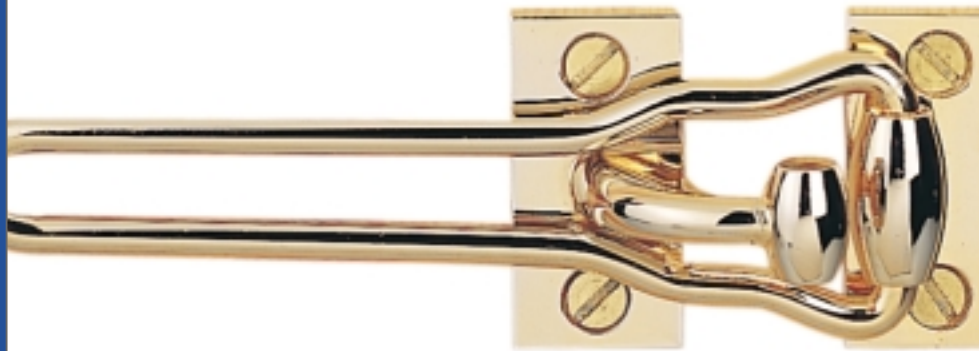


Suitable for all hotels, with or without VingCard locks installed.



Secure your guests

Our door retainer prevents entry of intruders and increases the guest's safety. A door retainer is a minimum requirement needed to obtain safe identification from strangers at your door. Once an intruder is in - it is too late.

Quality

Just having a chain is not enough. Chains often get caught in an open door and can destroy the finish of the door and frame. With VingCard's door retainer this problem is avoided. It is easy to use with a strong construction that is impossible to unhook.

Safety

VingCard recommends that every guestroom is equipped with our high quality door retainer.

Suitable for all hotels, with or without VingCard locks installed.



FEATURES

::Strong steel hook construction, that is impossible to unhook from the outside.

::Easy to use. Just a simple flick of the frame arm when the door is shut. No more fumbling with chains.

::Easy to install.

::Easy to mount on wood or steel doors.

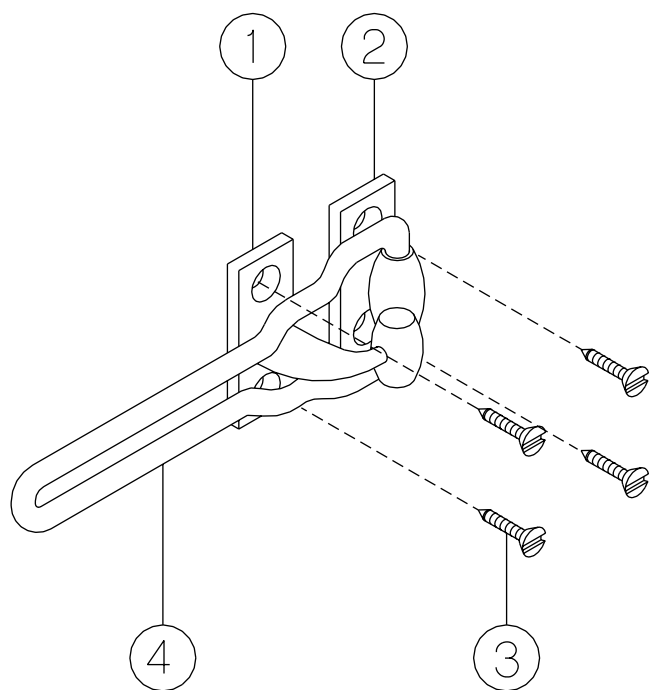
::Choice of finishes: Polished chrome, satin chrome, polished brass or satin brass.

::Available in two sizes: 150 or 200mm.

Door Retainer

- **DAVINCI**
by VingCard
- **vision**
by VingCard
- **2100 PLUS**
by VingCard
- **Original**
by VingCard
- **KEYCARDS**
by VingCard
- **Accessories**
by VingCard
- **SERVICE**
by VingCard

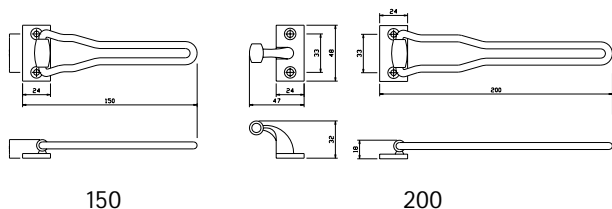
Complete door retainer



Each complete retainer is individually packed, and consists of:

- ① Door arm (zamak).
- ② Frame arm swivel mount (zamak).
- ③ Fixing screws.
- ④ Frame arm (steel).

Complete door retainer



Dimensions:

- Standard length: 150mm
Extra long: 200mm