

The Remote Controller operates different devices such as electronic strikes and motor locks. The Remote Controller provides control on;

- common doors
- vehicle barriers
- health clubs
- conference suites
- staff entrances
- hotel garages



#### Access control

Single standard electrical output enables remote connection to motor operated locks or electronic strikes on common doors, such as vehicle barriers, health clubs, conference suites, staff entrances or guest night entrances.

#### Compatibility

Fully compatible with VingCard magnetic card locking systems.

#### Off-line verification

Access bitmap technology eliminates the need for wired connections to a central verifier.

#### Finish

The remote controller is available in the same finishes as the VingCard locks.

#### Quality

The remote controller is both designed by and produced at VingCard's factory in Norway. This is your guarantee of quality.

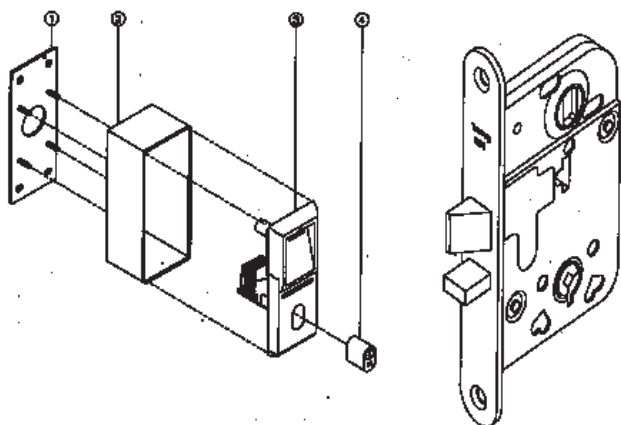


#### Features

- :: Designed and manufactured by VingCard. Your guarantee of quality.
- :: Robust housing. Available for surface mounting or flush mounting.
- :: LED in green and red to confirm card operation.
- :: Security access codes encrypted on key card track three.
- :: Accepts standard credit card sized cards.
- :: Service access only for authorized key holders.

# Remote Controller

## Magnetic stripe card operated remote controller



Each complete unit, supplied individually packed, consists of:

- Fixing plate.
- Housing assembly.
- Front assembly with LCU.
- Service access cylinder.

### Other options, not illustrated:

Egress switch with key logo.  
Power supply 12-30VDC.

Dimensions:                      Surface mounted model:

Height:                              200mm  
Width:                                83mm  
Depth:                                81mm

Dimensions:                      Flush mounted model:

Height:                              220mm (1)  
Width:                                103mm (1)  
Depth:                                59mm (2)

(1) = Total size of flange around the front assembly

(2) = Depth inside wall.

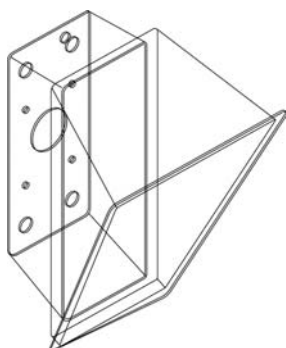
### Environmental specification for card reader:

Minimum:                          0 C (without heating element)  
    -30C (with heating element)  
Maximum:                          50C (without heating element)  
    50C (with heating element)  
Humidity:                          Non condensing.

## Power requirements 6866 Remote controller

Operation	Min volt	Max volt	Standby current	Active current
6866 (Plug X4, Pos1)	10,8V	30V AC	15mA	150mA
6866 (Plug X4, Pos1)	15,0V	40V DC	15mA	150mA
6866 (Plug X4, Pos2)	10,8V	15V DC	15mA	150mA
Heating element (Pos. II)	24V +/-20%	AC/DC		0,8A
Heating element (Pos. I)	12V +/-20%	AC/DC		1,6A

## Clear acrylic splash guard



Specification may be changed without notice