

VingCard Classic electronic guest door lock using smart card technology.

The VingCard classic electronic lock can operate using smart card technology.

The system fully utilizes VingCard's high quality electronic lock. These locks are all equipped with a thumbturn-operated deadbolt and a "panic release" lever, which unlocks and opens the door from the inside. The locks are built specifically for hotel use and are available in a wide range of attractive styles and finishes. This variety allows you to match the appearance of your locks with the style and interior décor of your property.

Existing VingCard electronic locks can easily be upgraded to smart card by keeping all visible parts including the lock case.

The Classic smart card lock can be used in conjunction with your existing magnetic stripe card system, based on VISION software. *

* Software VISION 4.0 must be used. Available Nov. 02

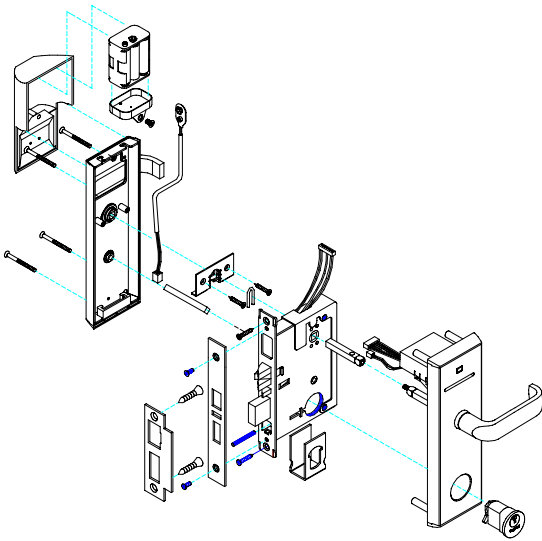


Features

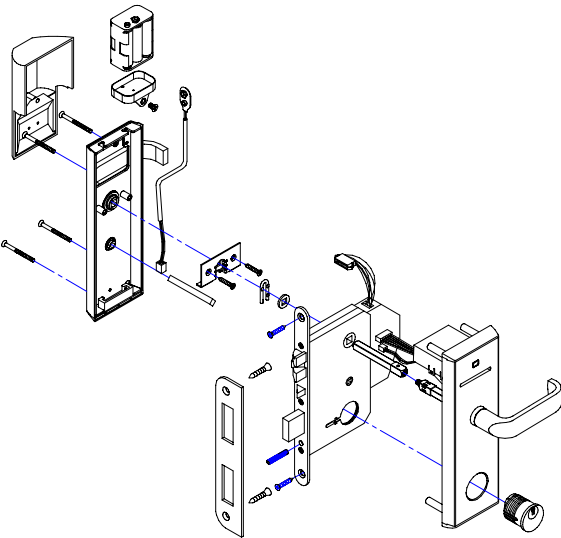
- :: Smart card operation
- :: Download audit trail on card
- :: Remote cancellation of staff access
- :: Daylight Saving Time function
- :: POS/PMS interface
- :: Up to 5 room suite on smart card
- :: Minimum front desk equipment required
- :: Controlled by multiplatform operating software running Windows 98/2000/NT/XP
- :: Report lock logistic on card
- :: Entry log - 200 events audit trail stored in lock
- :: Multiple use of card:
 - Loyalty programs
 - Point of sale
 - Vending machines
 - Booking
 - Telephone

Classic smart card lock

Smart card lock ANSI



Smart card lock EURO



Specification may be changed without notice

Electronics:

| | |
|--------------------------|----------------------------------|
| Power supply | 6 AA Alkaline batteries |
| Battery lifetime | 2-3 years dep. usage and climate |
| Access media | Smart card |
| Memory type | RAM and Flash |
| Audit trail event memory | 200 events |

Lock management:

| | |
|----------------------|--------------------------------------|
| Lock programming | Windows pocket PC |
| Audit trail download | Windows pocket PC or special keycard |
| Logistic reporting | Power, openings and access attempts |

Peripheral Access devices:

| | |
|-------------------------|--|
| Multi Output Controller | Elevators |
| Remote Controller | Control electrical strike to secure common doors |

Operating system:

| | |
|-------------------|------------------------------|
| Key management | Windows based 98/2000/NT/XP* |
| Locklink | Windows pocket PC |
| Database | Paradox* |
| LAN communication | TCP/IP |

Card issuing:

| | |
|------------|-----------------------|
| Smart card | Manual insert encoder |
|------------|-----------------------|

* New database, sybase will be available in VISION 4.0